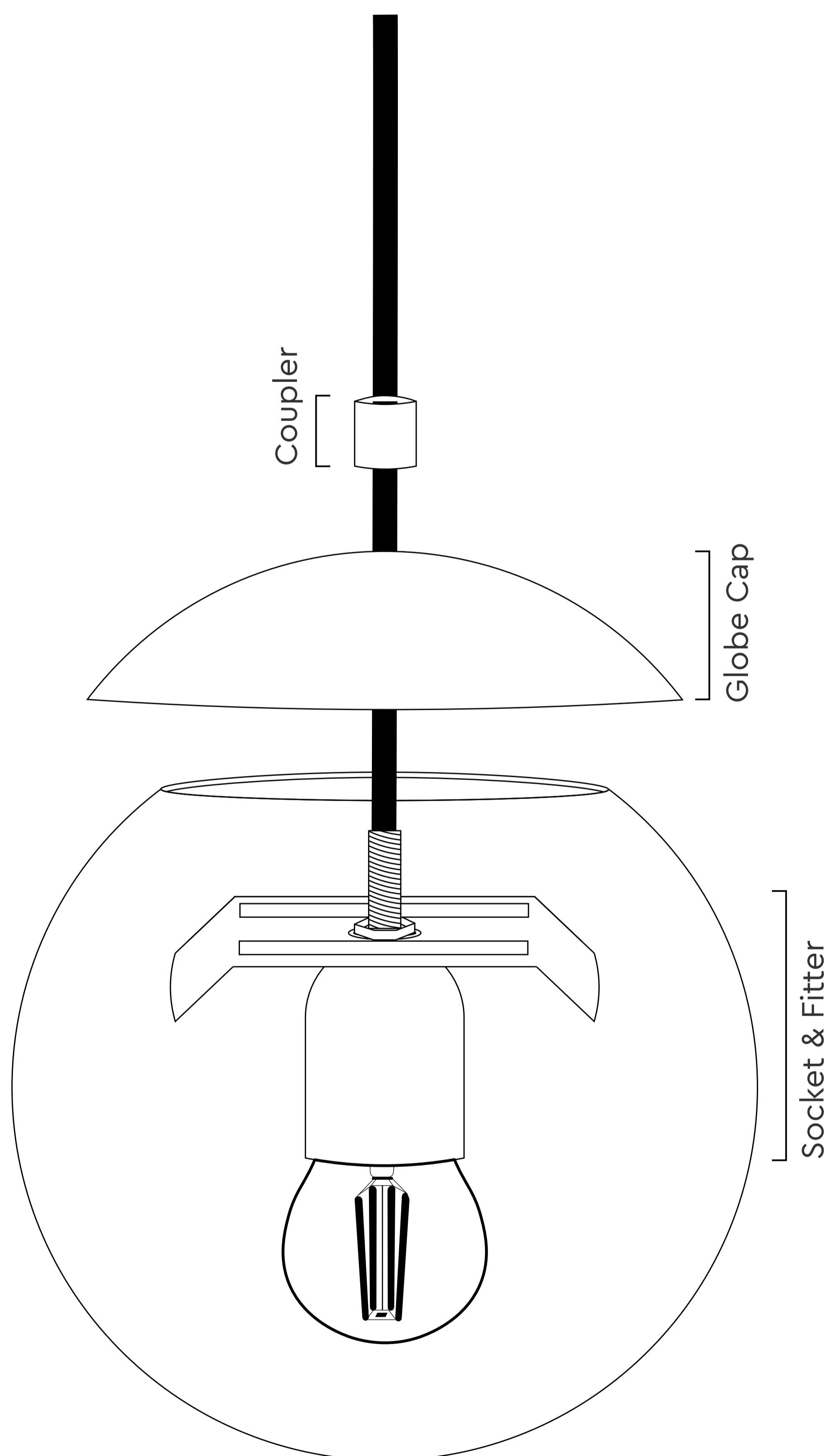


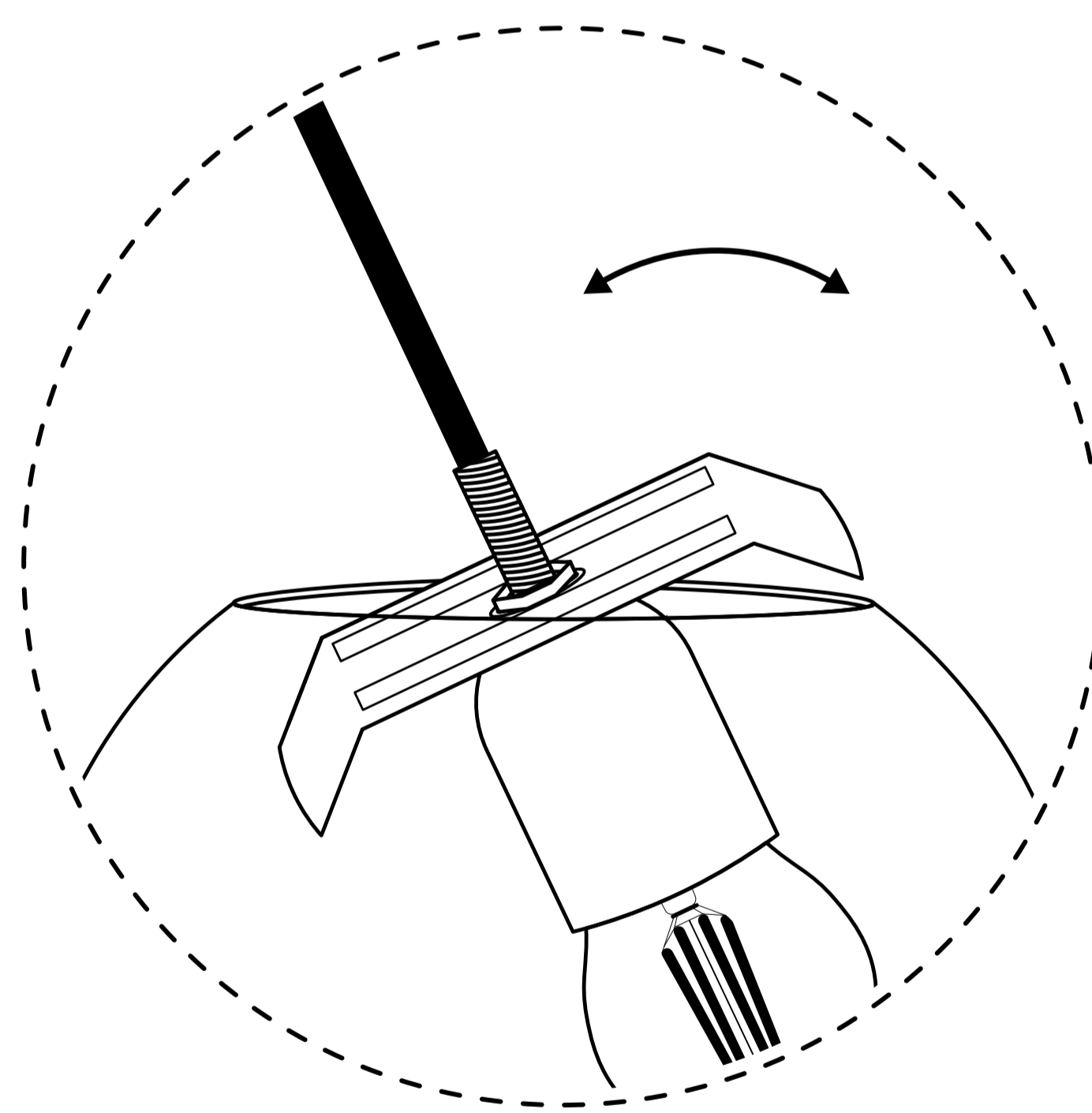
MOD GLOBE

EXPANDED VIEW INSTALLATION GUIDE



To install or replace the lightbulb or glass:

1. Add preferred light bulb.
2. Unscrew the coupler and lift the globe cap.
3. While holding glass firmly, carefully lower the fitter and socket into the globe.



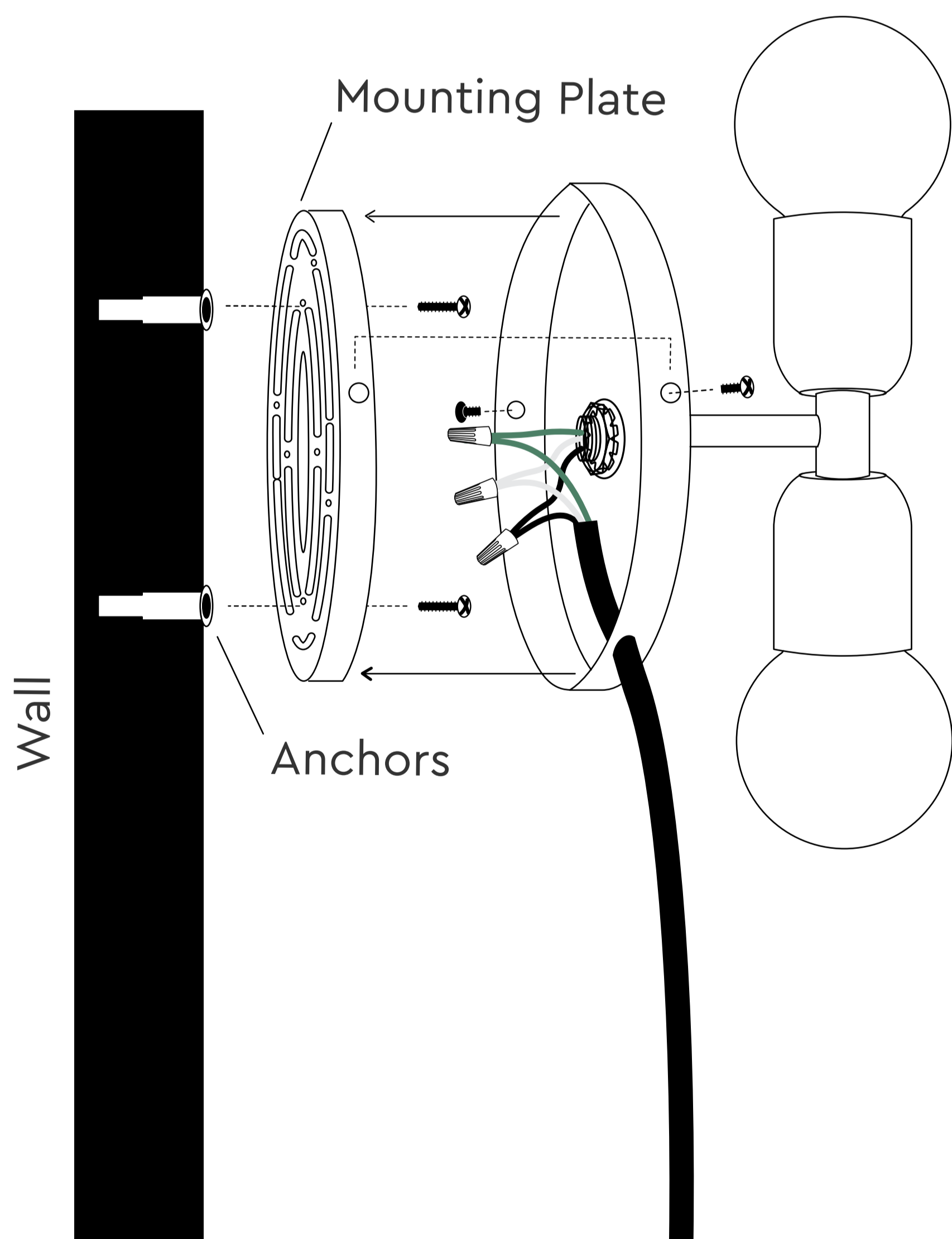
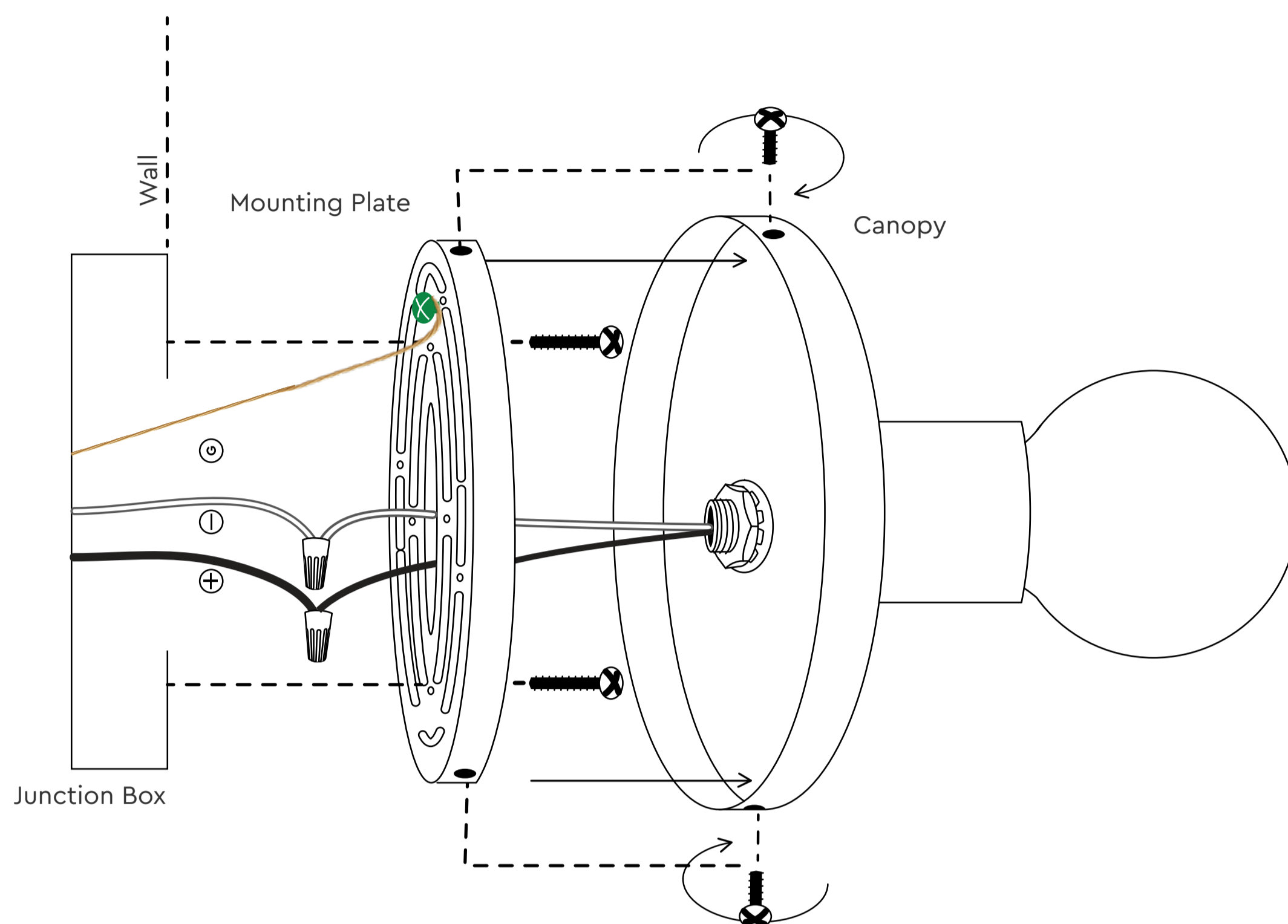
Need more info? Visit our guides page at [COLORCORD.COM/PAGES/GUIDES](https://colorcord.com/pages/guides)

SCONCE INSTALLATION

EXPANDED VIEW INSTALLATION GUIDE

To install hardwired sconce:

1. Turn off power circuit.
2. Attach positive (black) and negative (white) wires from junction box to matching black and white wires from sconce with wire connectors. Wrap with electrical tape. Attach ground wire from junction box to grounding screw on canopy.
3. Secure mounting plate to wall.
4. Secure canopy to mounting plate.



To install plug-in sconce:

1. Set up the space. Level the mounting plate on the wall in your desired location and mark the screw placement with a pen or punch.
2. Drill holes and install drywall anchors. If you're attaching the sconce directly to a stud, you can forego the use of drywall anchors.
3. Attach the mounting plate with the provided screws. Make sure that your mounting plate is completely flush as you secure it to the wall.
4. Now, you can attach your plug-in sconce to the mounting plate. Simply line up the holes on either side of the sconce canopy with the holes on the mounting plate and use the provided screws to secure everything in place.



WARNING

Turn off power at circuit before wiring and always consult a licensed electrician.

Need more info? Visit our guides page at [COLORCORD.COM/PAGES/GUIDES](https://colorcord.com/pages/guides)

