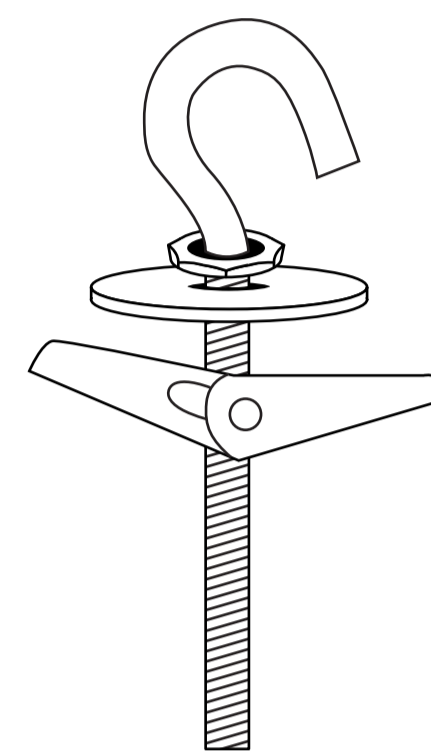


BASIC SWAG HOOK INSTALLATION

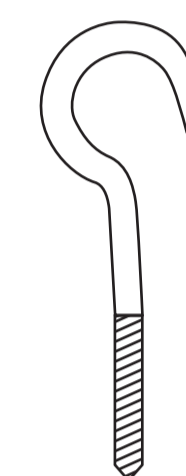
DIAGRAM

Warning:

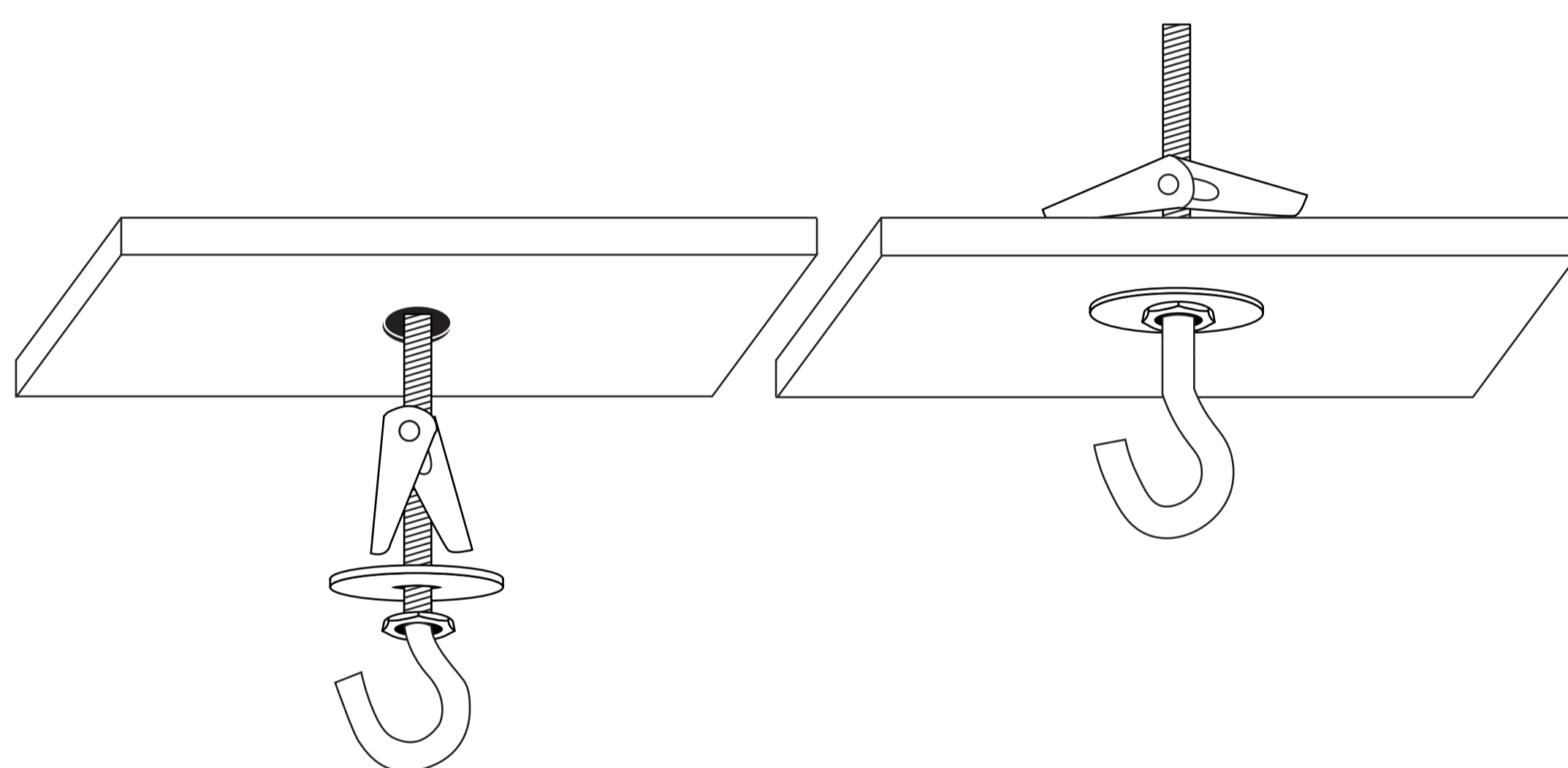
- Max weight 15 lbs.
- Toggle hooks are for drywall only. Screw hooks are meant for direct wood or ceiling joist mount only.
- If ceiling is made of plaster, brick, or concrete, please consult your local hardware store.
- Installation is not to be made on radiant heating ceilings.



Drywall Hook

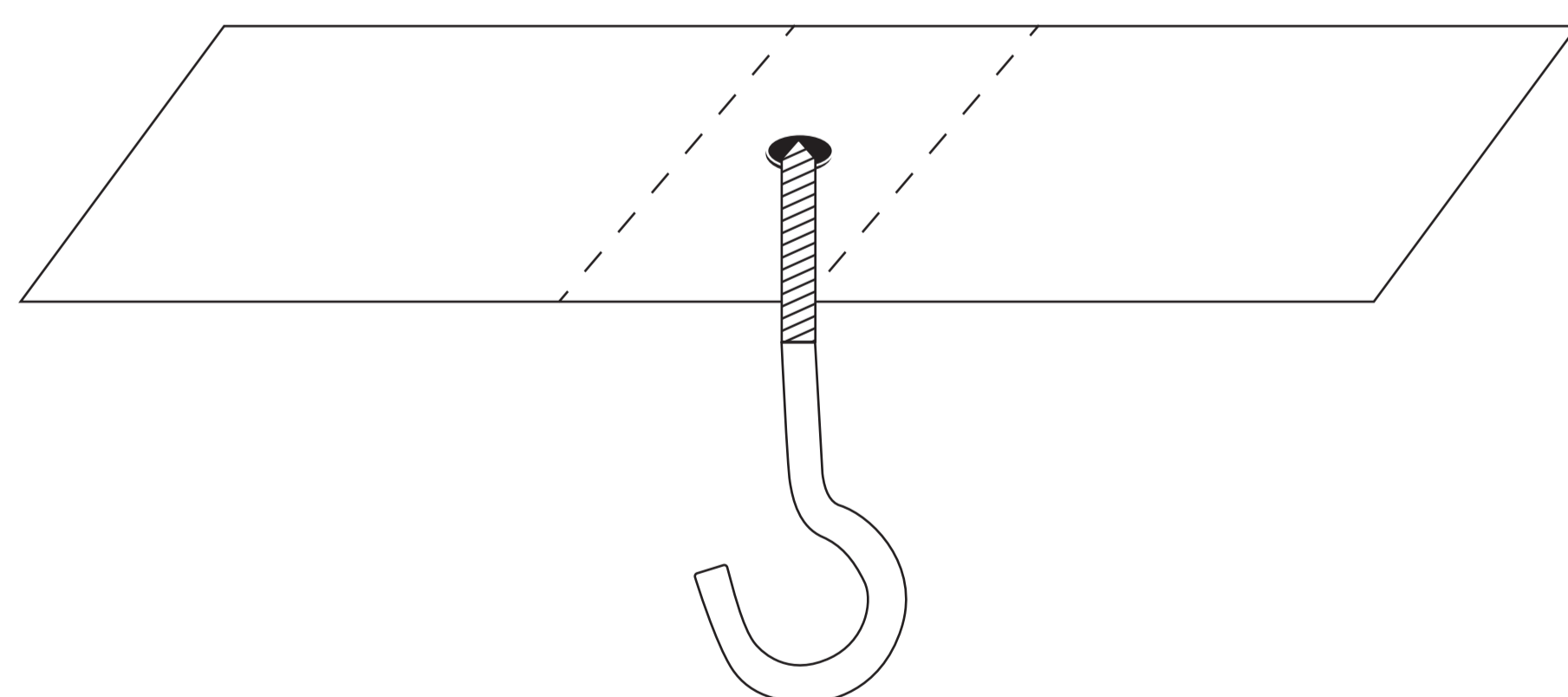


Joist Hook



For Drywall Hook Installation:

1. Drill pilot hole.
2. Fold wings and push them through hole in drywall until they unfold on the other side.
3. Tighten nut until snug.



For Joist Hook Installation:

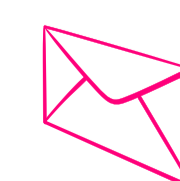
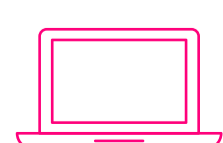
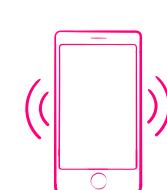
1. Identify stud using stud finder.
2. Drill pilot hole.
3. Twist hook into hole until snug.



WARNING

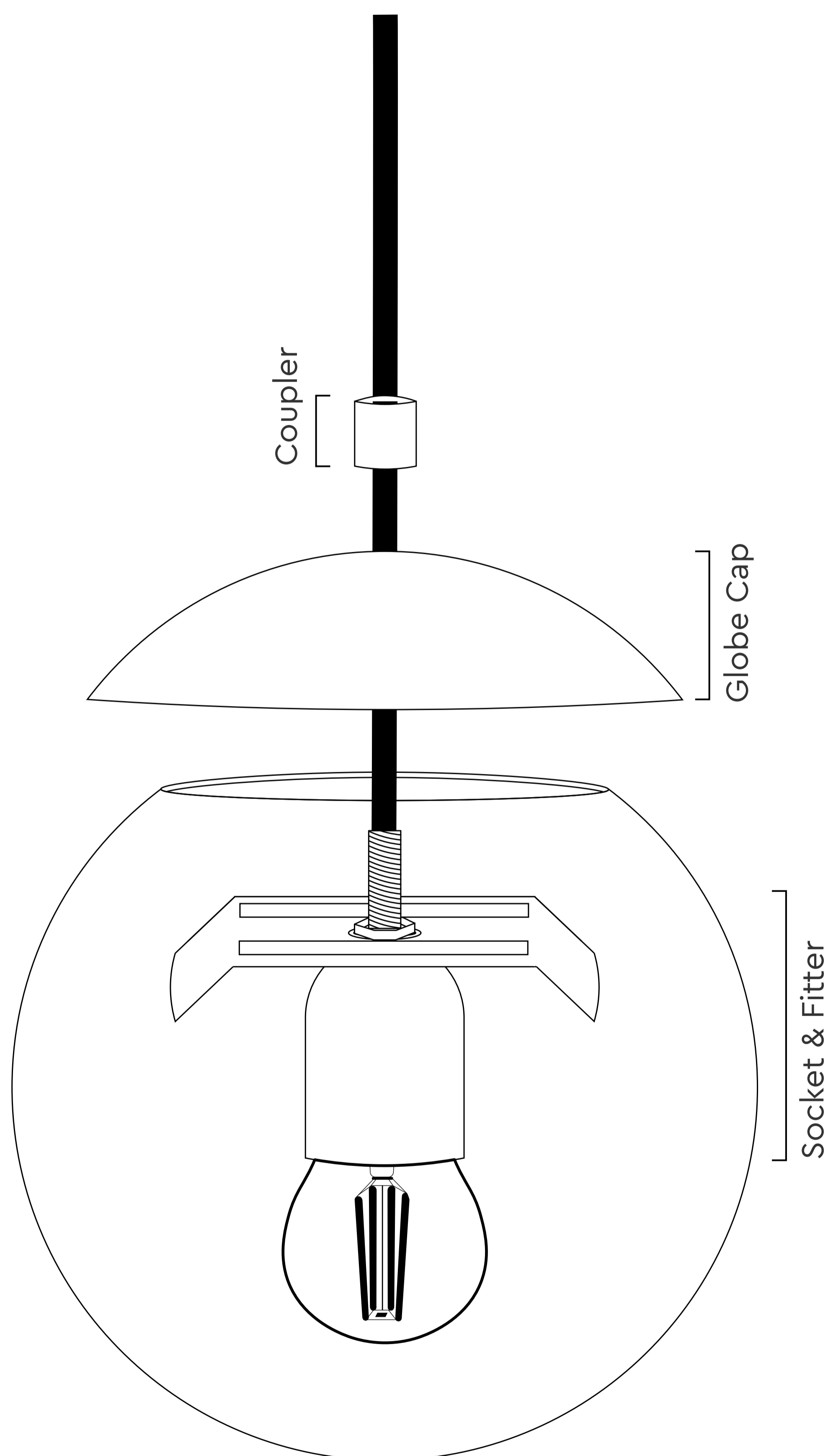
Turn off power at circuit before wiring and always consult a licensed electrician.

Need more info? Visit our guides page at [COLORCORD.COM/PAGES/GUIDES](https://colorcord.com/pages/guides)



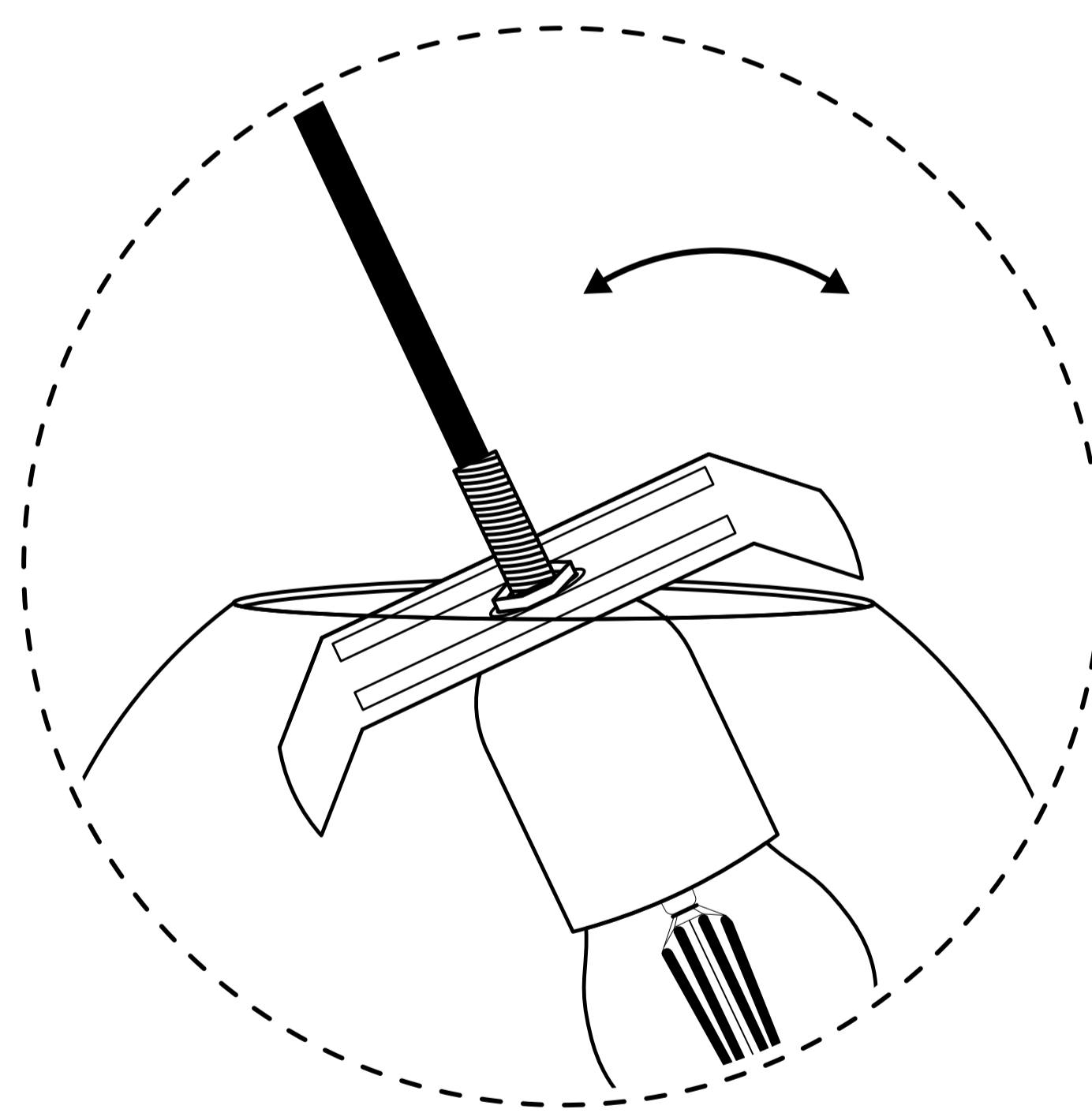
MOD GLOBE

EXPANDED VIEW INSTALLATION GUIDE



To install or replace the lightbulb or glass:

- 1.** Add preferred light bulb.
- 2.** Unscrew the coupler and lift the globe cap.
- 3.** While holding glass firmly, carefully lower the fitter and socket into the globe.



Need more info? Visit our guides page at [COLORCORD.COM/PAGES/GUIDES](https://colorcord.com/pages/guides)