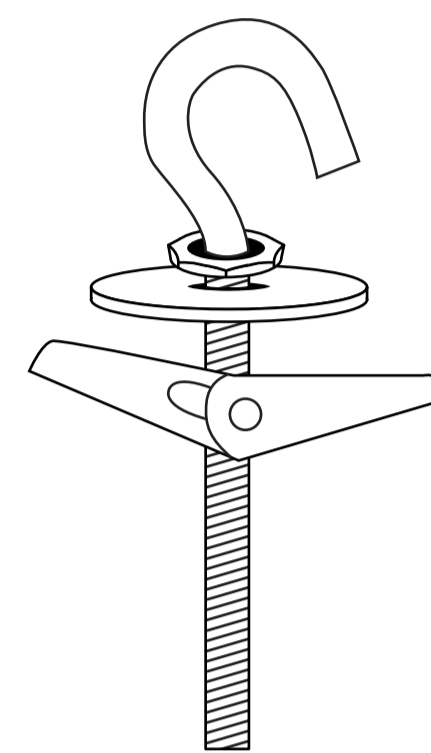


BASIC SWAG HOOK INSTALLATION

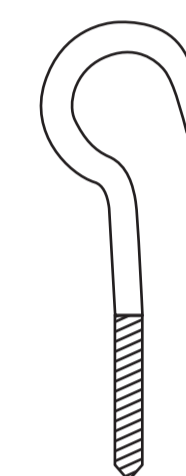
DIAGRAM

Warning:

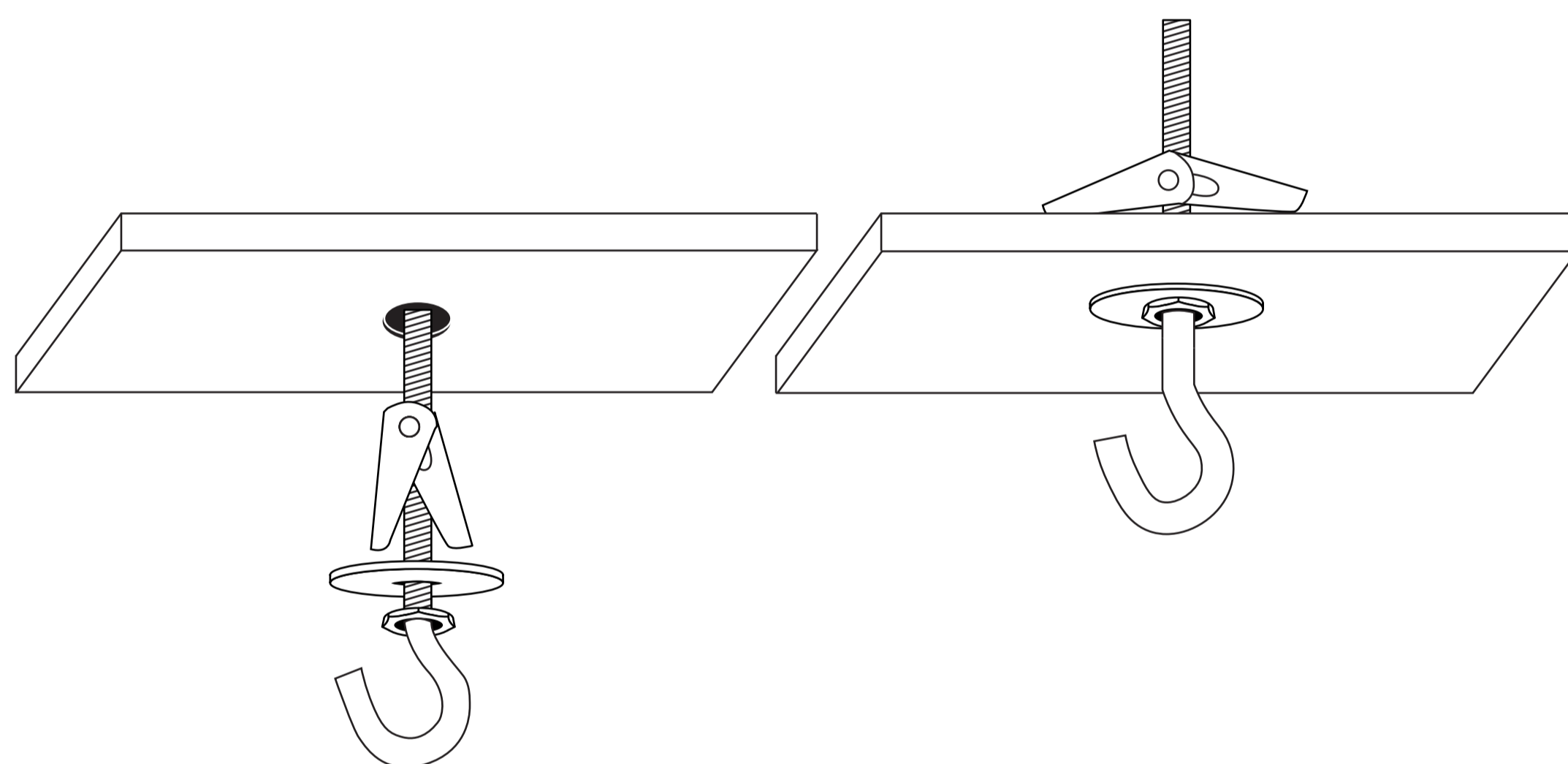
- Max weight 15 lbs.
- Toggle hooks are for drywall only. Screw hooks are meant for direct wood or ceiling joist mount only.
- If ceiling is made of plaster, brick, or concrete, please consult your local hardware store.
- Installation is not to be made on radiant heating ceilings.



Drywall Hook

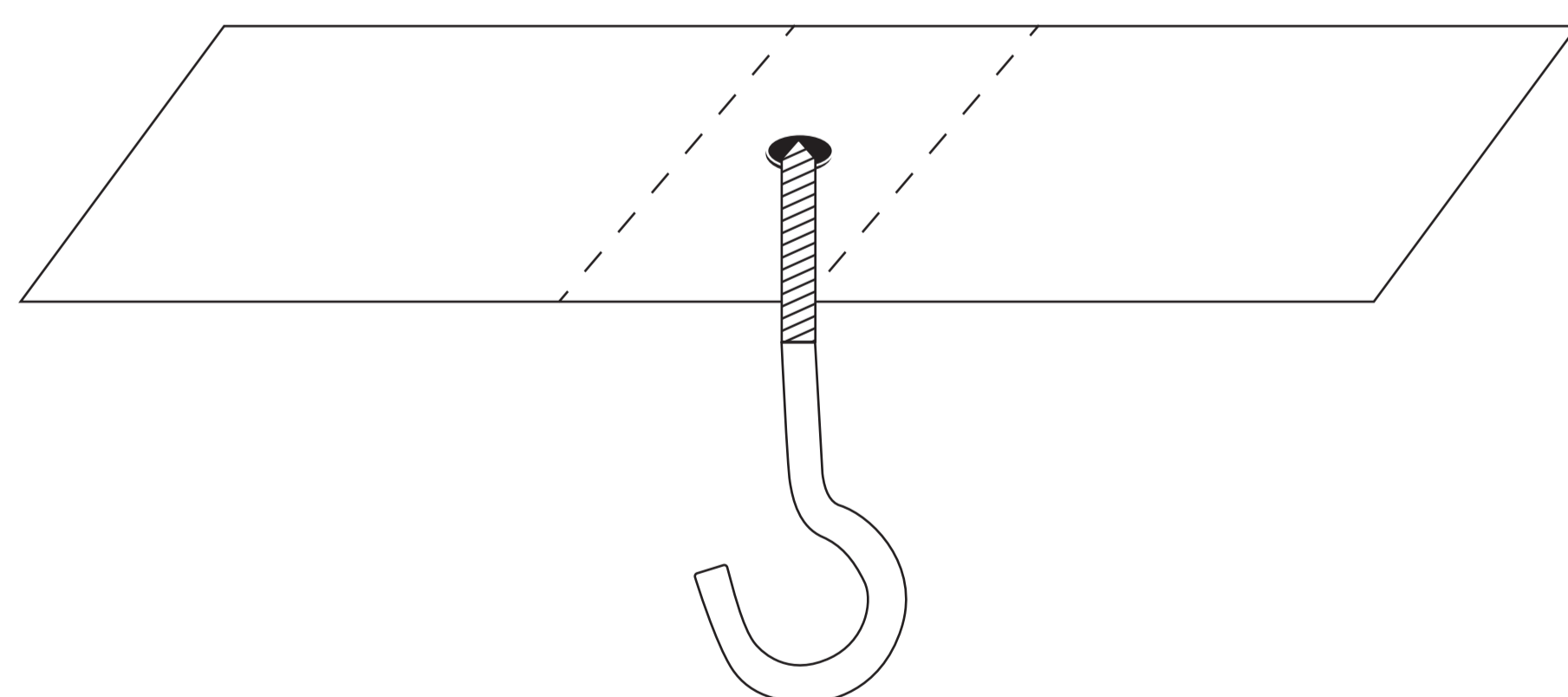


Joist Hook



For Drywall Hook Installation:

1. Drill pilot hole.
2. Fold wings and push them through hole in drywall until they unfold on the other side.
3. Tighten nut until snug.



For Joist Hook Installation:

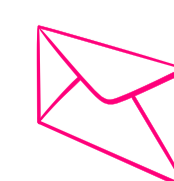
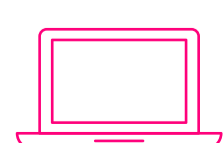
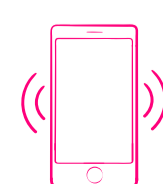
1. Identify stud using stud finder.
2. Drill pilot hole.
3. Twist hook into hole until snug.



WARNING

Turn off power at circuit before wiring and always consult a licensed electrician.

Need more info? Visit our guides page at [COLORCORD.COM/PAGES/GUIDES](https://colorcord.com/pages/guides)

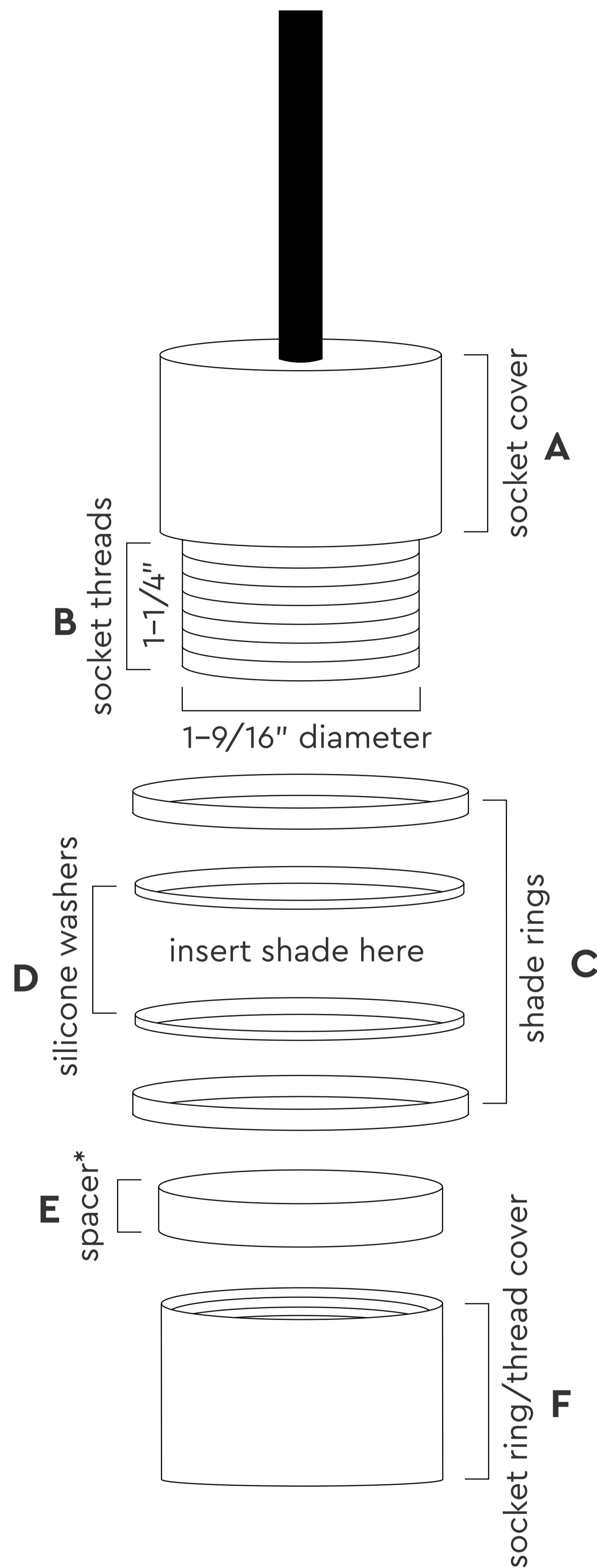
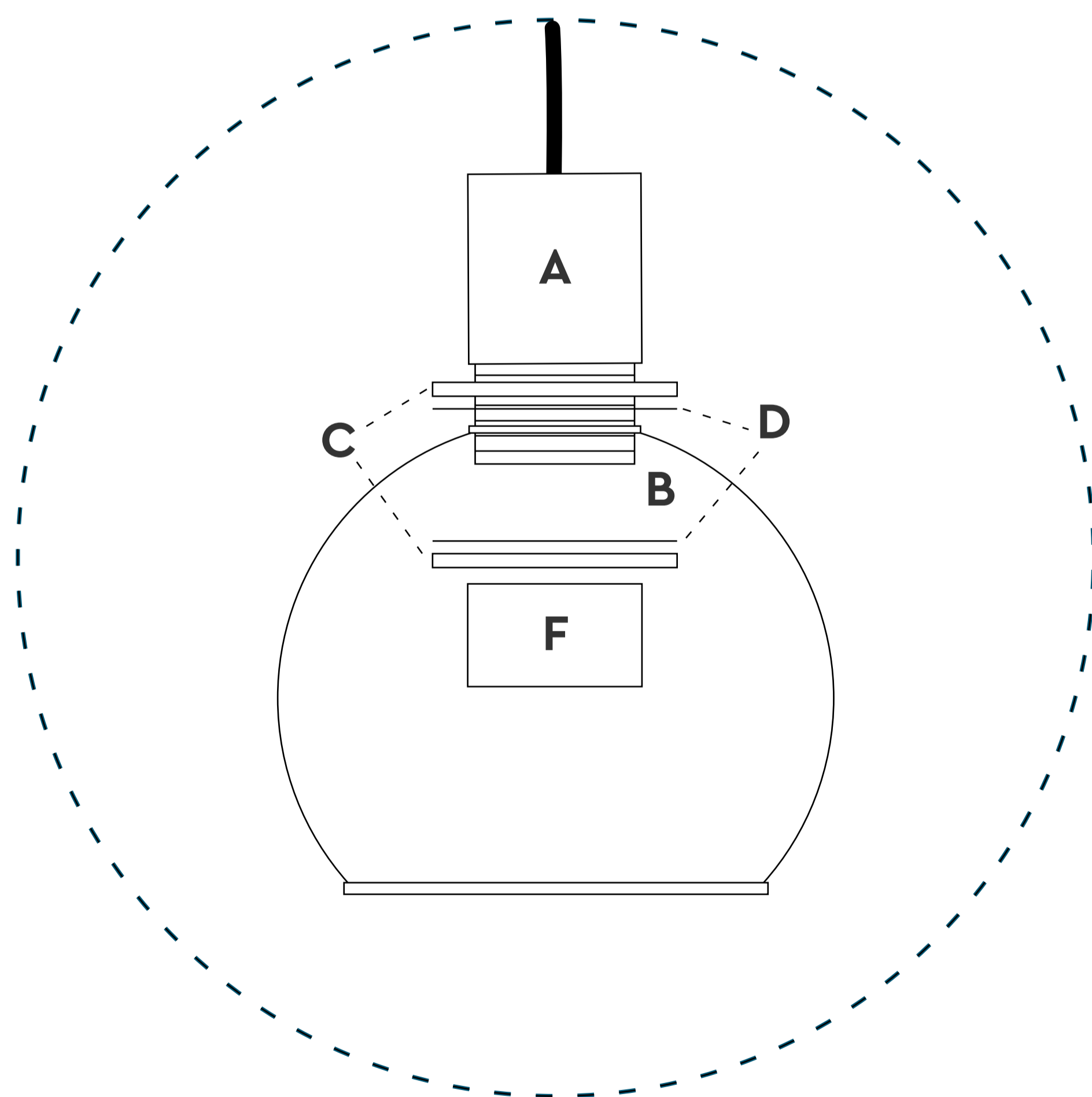


AIO SOCKET

EXPANDED VIEW INSTALLATION GUIDE

To attach shade:

1. Place shade rings and silicone washers on either side of the shade opening.
2. Insert socket into shade.
3. Tighten thread cover to socket until snug, do not over-tighten.



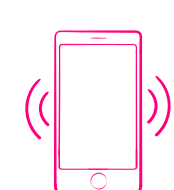
*for use with exposed bulb only



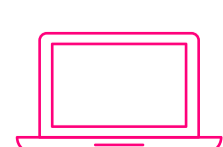
WARNING

Turn off power at circuit before wiring and always consult a licensed electrician.

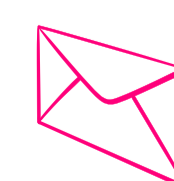
Need more info? Visit our guides page at [COLORCORD.COM/PAGES/GUIDES](https://colorcord.com/pages/guides)



800-409-1070



colorcord.com



info@colorcord.com